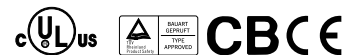




■ Features :

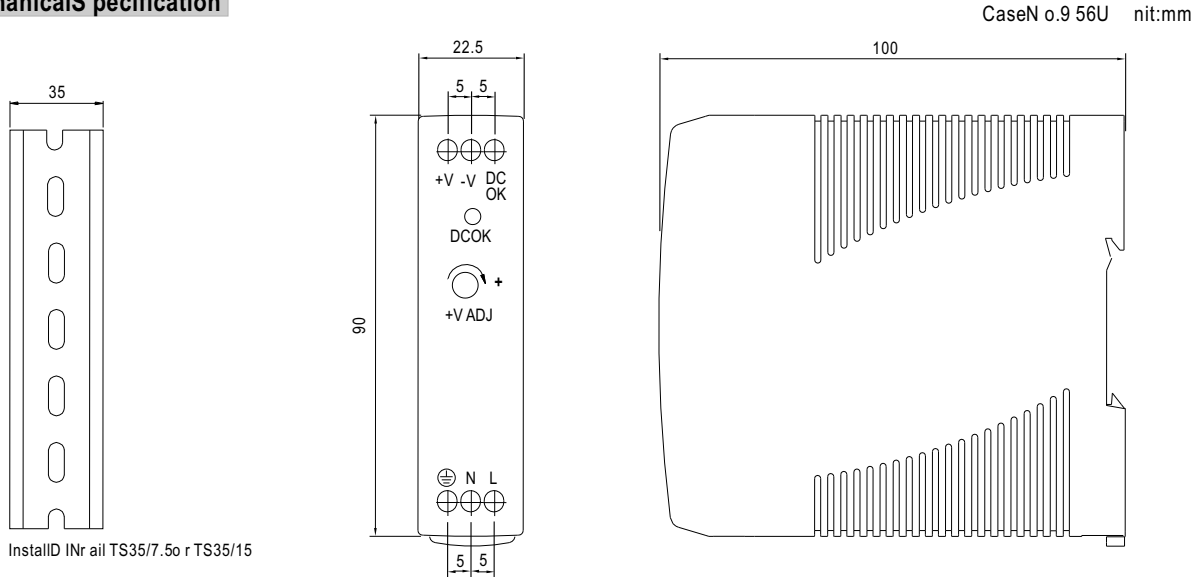
- Universal AC input/Full range
- Protections:Short circuit/Over load/Over voltage
- Cooling by free air convection
- Can be installed on DIN rail TS-35/7.5 or 15
- Built in DC OK active signal
- LED indicator for power on
- 100% full load burn-in test
- No load power consumption<0.75W
- 3 years warranty



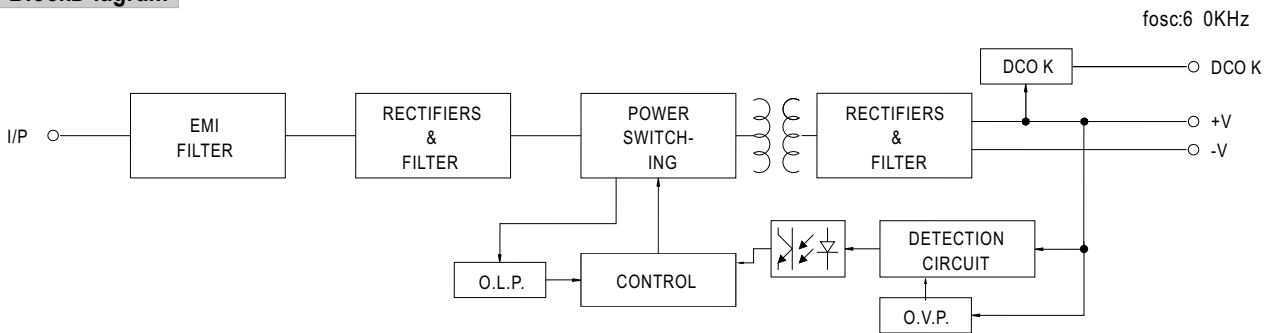
SPECIFICATION

| MODEL | MDR-20-5 | MDR-20-12 | MDR-20-15 | MDR-20-24 | |
|----------------------|--|--|--------------------|-------------------|---------------|
| OUTPUT | DCV OLTAG E | 5V | 12V | 15V | 24V |
| | RATEDC UURRENT | 3A | 1.67A | 1.34A | 1A |
| | CURRENTR ANGE | 0~3 A | 0~1 .67A | 0~1 .34A | 0~1 A |
| | RATEDP OWER | 15W | 20W | 20W | 24W |
| | RIPPLE&N OISE(max.) Note.2 | 80mVp-p | 120mVp-p | 120mVp-p | 150mVp-p |
| | VOLTAGE ADJ.R ANGE | 4.75~5 .5V | 10.8~1 3.2V | 13.5~1 6.5V | 21.6~2 6.4V |
| | VOLTAGE TOLERANCE Note.3 | ±2.0% | ±1.0% | ±1.0% | ±1.0% |
| | LINER EGULATION | ±1.0% | ±1.0% | ±1.0% | ±1.0% |
| | LOADR EGULATION | ±1.0% | ±1.0% | ±1.0% | ±1.0% |
| | SETUP,RISET IME | 500ms,3 0ms/230VAC1 | 000ms,3 0ms/115VAC | atf ulll oad | |
| HOLDT IME (Typ.) | 50ms/230VAC2 | 0ms/115VAC | atf ulll oad | | |
| INPUT | VOLTAGER ANGE | 85~2 64VAC1 | 20~3 70VDC | | |
| | FREQUENCY RANGE | 47~6 3Hz | | | |
| | EFFICIENCY (Typ.) | 76% | 80% | 81% | 84% |
| | ACC UURRENT (Typ.) | 0.55A/115VAC0 | .35A/230VAC | | |
| | INRUSHC UURRENT (Typ.) | COLDS TART 20A/115VAC4 | 0A/230VAC | | |
| | LEAKAGEC UURRENT | <1mA/2 40VAC | | | |
| PROTECTION | OVERL OAD | 105~1 60% ratedo utputp ower Protection tpe: Constantc urrentl imiting,r ecoversa utomaticallya fter faultc onditioni sr emoved | | | |
| | OVERV OLTAGE | 5.75~6 .75V | 13.8~1 6.2V | 17.25~2 0.25V | 27.6~3 2.4V |
| | | Protection tpe:S hutdowno /pv oltag e,r e-powero nt or ecover | | | |
| FUNCTION | DCOK ACTIVE SIGNAL (max.) | 3.75~6 V/5 0mA | 9~1 3.5V/ 40mA | 11.5~1 6.5V/ 40mA | 18~2 7V/ 20mA |
| ENVIRONMENT | WORKINGT EMP. | -20~+ 70℃ (Refert oo utputl oadd eratingc urve) | | | |
| | WORKINGH UMIDITY | 20~9 0%RHn on-condensing | | | |
| | STORAGET EMP.,H UMIDITY | -40~+ 85℃,1 0~9 5%RH | | | |
| | TEMP.C OEFFICIENT | ±0.03%/℃ (0~5 0℃) | | | |
| | VIBRATION | Component:10~5 00Hz,2 G1 0min./1cycle,6 0min.e acha longX , Y,Za xes;M ounting:C ompliancet o EC60068-2-6 | | | |
| SAFETY & EMC (Note4) | SAFETY STANDARDS | UL508, TUVE N60950-1 Approved | | | |
| | WITHSTANDV OLTAGE | I/P-O/P:3KVACI | /P-FG:1.5KVACO | /P-FG:0.5KVAC | |
| | ISOLATIONR ESISTANCE | I/P-O/P,I /P-FG,O /P-FG:100MO hms/500VDC | | | |
| | EMIC ONDUCTION&R ADIATION | Compliancet oE N55011,EN55022(CISPR22)C lassB | | | |
| | HARMONICC UURRENT | Compliancet o EN61000-3-2,-3 | | | |
| | EMSI MMUNITY | Compliancet oEN61000-4-2,3,4,5,6,8,1 1,ENV50204,EN55024,EN61000-6-1,EN61204-3Lightindustrylevel,criteria A | | | |
| OTHERS | MTBF | 236.9Kh rsm in.M IL-HDBK-217F(25℃) | | | |
| | DIMENSION | 22.5*90*100mm(W*H*D) | | | |
| | PACKING | 0.19Kg;7 2pcs/14.7Kg/0.97CUFT | | | |
| NOTE | <ol style="list-style-type: none"> 1. All parameters NOT specially mentioned are measured at 230VAC input, rated load and 25℃ of ambient temperature. 2. Ripple & noise are measured at 20MHz of bandwidth by using a 12" twisted pair-wire terminated with a 0.1uf & 47uf parallel capacitor. 3. Tolerance : includes set up tolerance, line regulation and load regulation. 4. The power supply is considered a component which will be installed into a final equipment. The final equipment must be re-confirmed that it still meets EMC directives. 5. Length of set up time is measured at cold first start. Turning ON/OFF the power supply may lead to increase of the set up time. | | | | |

Mechanical Specification

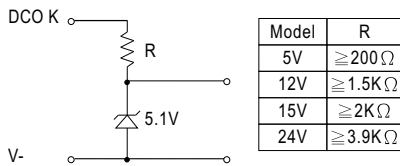


Block Diagram

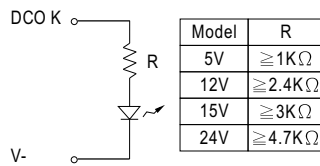


Application of DCO K Active Signal

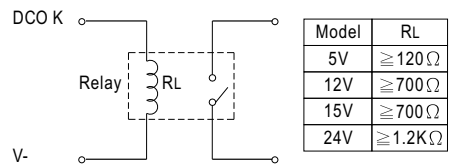
(a) 5Vs signal



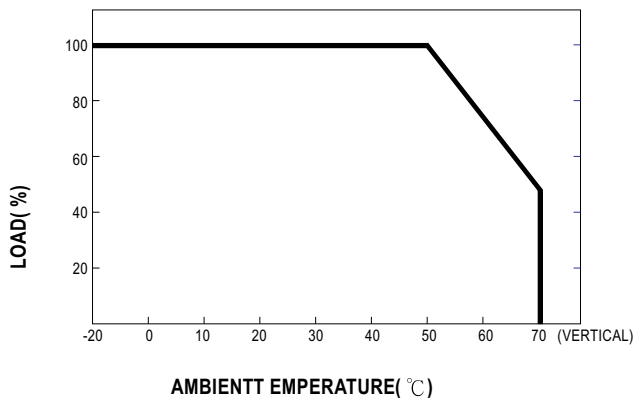
(b) LED



(c) Relay



Output Derating



Output Derating vs Input Voltage

